

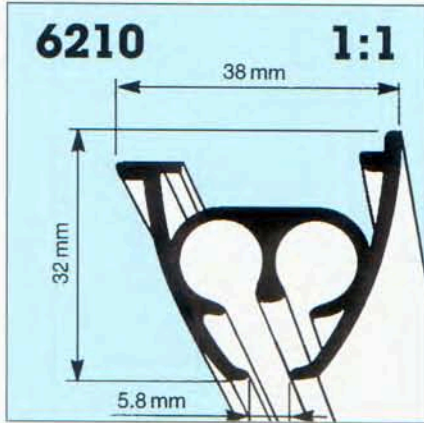
Heavy Duty and Stage Curtain Track System Silent Gliss® 6200

Specification guide

Silent Gliss 6200 curtain track, cord drawn, anodised aluminium, assembled complete with roller gliders 6098 at 10/m, cord guide/returns 6212/6213, pilot runners 6214/6227, overlap 6079, cord 6070 (cord drop 3000mm R.H.S.) and endstop 6007, top fixed with clamp 6209 at

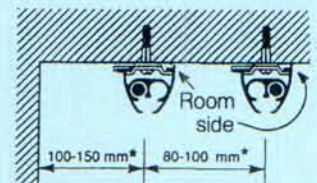
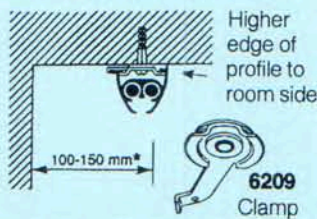
approx. 600mm centres plus cord guide, each screwed to timber/plugged and screwed to blockwork/concrete.

..... Lm. in lengths.

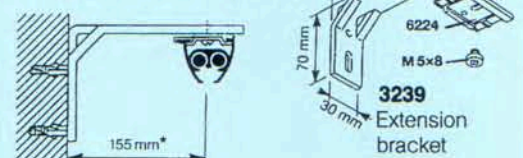


Fitting

Ceiling fix with clamp 6209



Wall fix with fixed extension bracket 3239 and clamp 6224



System 6202 parallel double system



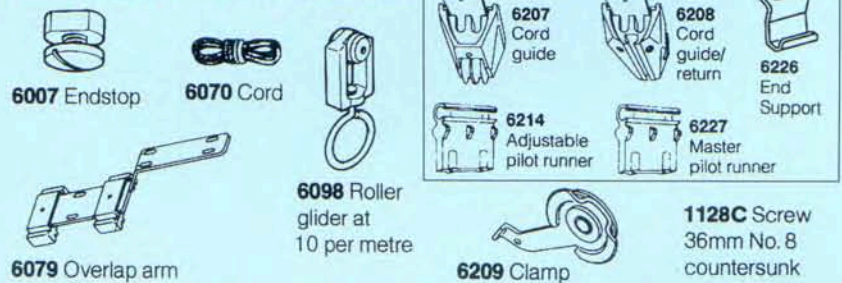
*Dependent on curtain weight, and any obstructions

Product Information

- Unbeatably efficient with effortless closing of curtains up to 90kg in weight and up to 25m in length.
- Heavy duty pulleys and Delrin rollers.
- For very heavy curtains for small stages, conference rooms, sports halls etc. and very heavy domestic curtains.
- Elegant rounded profile more attractive than any competitive system of its size. Same appearance both sides for room dividing.
- Standard lengths 4/5/6m. Silver only. Connecting bridge available.
- Can be used as a parallel system with one cord pull only and infinite overlap, (ideal for stages).
- Fix every 600mm.
- Standard cord drop 300cm.

Can be bent
Min. radius R
6210= 350mm

Standard Accessories



Optional Accessories



Max. Curtain Weight

	3m	6m	9m	12m	15m	20m	25m
	85	80	75	70	65	57	48
	95	89	84	77	72	62	54
	51	48	45	41	37	32	26
	56	54	50	46	43	36	31
	42	38	35	31	27	22	16
	46	43	39	35	32	26	20
	65	61	57	53	50	43	35
	75	70	66	62	56	50	42